

VANNER

Model SP00100

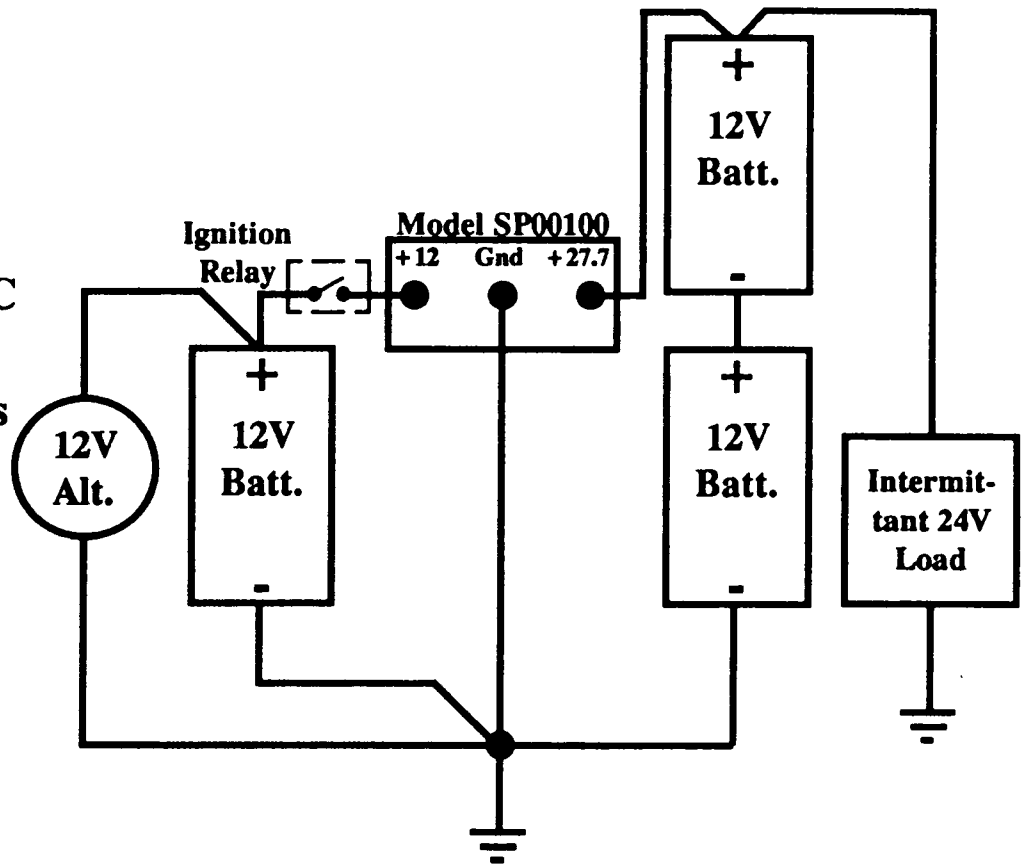
High Efficiency DC to DC Converter

INPUT:

- * 12 to 15 VDC
 - * 25A Max.
- Continuous

OUTPUT:

- * 27.7 VDC
 - * 12.5A Max.
- Continuous



+12V
(Input)

Ground

+27.7V
(Output)