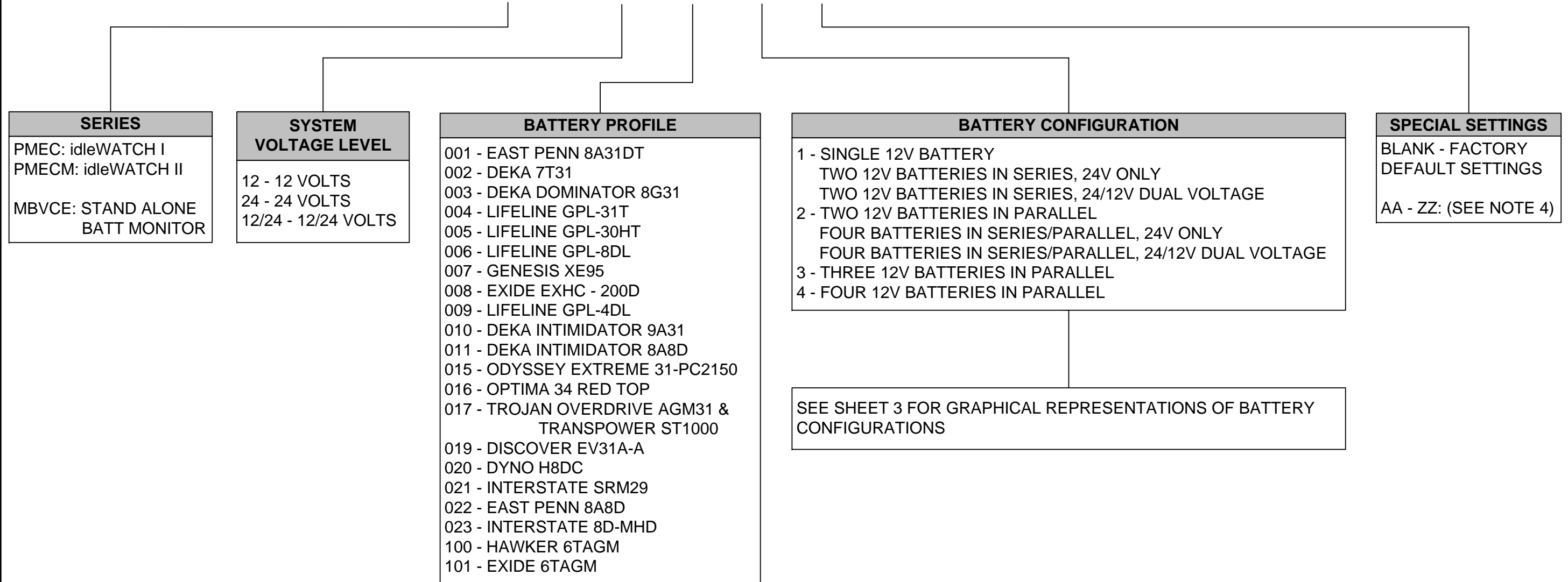



REVISIONS			
REV	DESCRIPTION	DATE	REA/ECO
-	SEE SHEET 1	-	-

# PMECM - 12 - 001 - 1 - AA



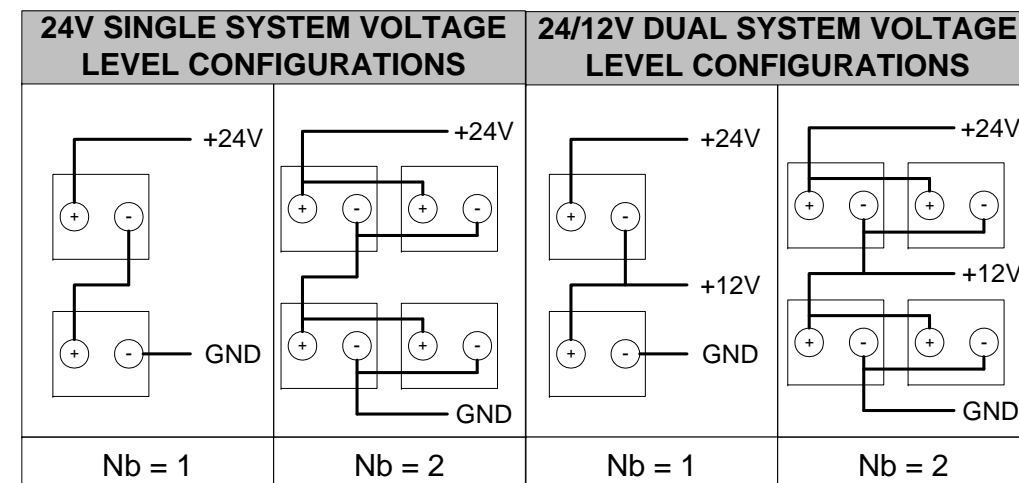
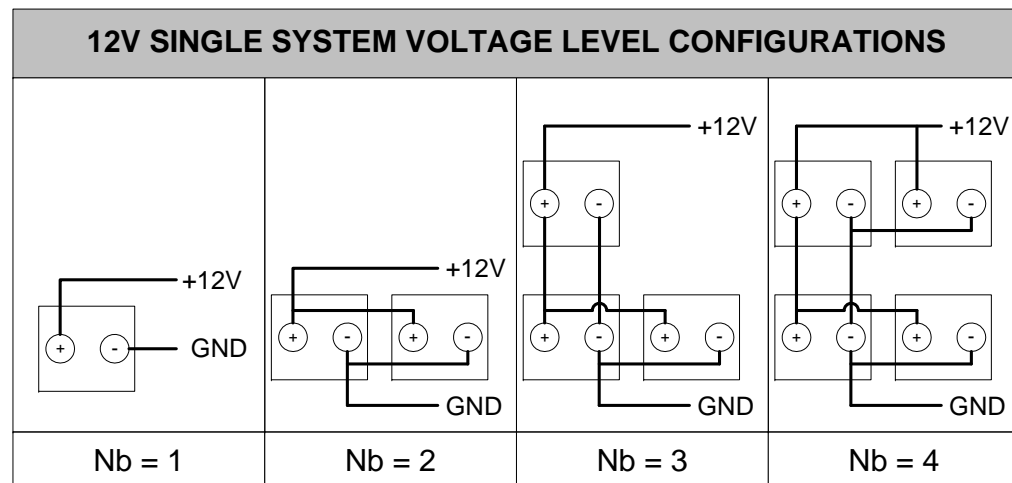
**NOTES:**


- 1) The purpose of this document is to detail an intelligent part numbering scheme for PMEC (idleWATCH I) and PMECm (idleWATCHII) units.
- 2) The base software for all PMECm's is the same.
- 3) The appropriate battery profile and battery configuration is loaded based on customer requirements.
- 4) There are several user configurable settings in a PMEC and PMECm. If a customer wishes to change any of the settings from the factory recommended defaults, a two character alpha suffix may be assigned to distinguish it from a base model.

SCALE: NONE	REA/ECO NO.:	TOL. LABEL/METAL .x ± .025 .xx ± .015 .xxx ± .005	 HILLIARD, OHIO USA	
THIS DRAWING AND ALL INFORMATION CONTAINED HEREIN IS THE PROPERTY OF VANNER INC. AND MAY NOT BE COPIED, REPRODUCED OR DIVULGED TO UNAUTHORIZED PERSONS WITHOUT THE EXPRESS WRITTEN CONSENT OF VANNER INC. IT IS PROVIDED SOLELY FOR THE CONVENIENCE OF THE USER AND SHALL BE RETURNED UPON REQUEST.		TOL. CABLES .xxx ± .25		TITLE: PMEC/PMECM/MBVCE PART NUMBER CONFIGURATION SCHEME
		DRNDATE	CHKDATE	DRAWING/PART NO. A916289

REVISIONS			
REV	DESCRIPTION	DATE	REA/ECO
-	SEE SHEET 1	-	-

## PMEC / PMECM / MBVCE SYSTEM VOLTAGE LEVEL AND Nb VALUE CONFIGURATIONS



SCALE: NONE	REA/ECO NO.:	TOL. LABEL/METAL	.x ± .025 .xx ± .015 .xxx ± .005	
THIS DRAWING AND ALL INFORMATION CONTAINED HEREIN IS THE PROPERTY OF VANNER INC. AND MAY NOT BE COPIED, REPRODUCED OR DIVULGED TO UNAUTHORIZED PERSONS WITHOUT THE EXPRESS WRITTEN CONSENT OF VANNER INC. IT IS PROVIDED SOLELY FOR THE CONVENIENCE OF THE USER AND SHALL BE RETURNED UPON REQUEST.		TOL. CABLES .xxx ± .25		
		DRN/DATE	CHK/DATE	DRAWING/PART NO. A916289